

Data sheet - series D - DIN



PRODUCT SPECIFICATION

SK H2O protec expansion waterstop series D according to DIN 18541, part 1 and 2, is a permanently flexible sealing profile with middle tube made of thermoplastic polymer, PVC-P or PVC-NBR, that is used to seal expansion joints in waterproof concrete structures with high water pressures.

Characteristics / Advantages

- high tensile strength and elongation at break
- high permanent flexibility and high-load bearing capacity
- suitable for water pressure and large settlements
- resistant to all natural media acting aggressively to concrete (if applicable)
- resistant to a wide range of chemical substances (tests required for each additional specific situation)
- standard resistant
- supply of systems for easy handling on site
- weldable by using butt joints on site

Application

- joint sealing in concrete structures
- expansion joint sealing system for in-situ concrete

Typical structures

- commercial buildings, cellars, underground car parks

Data sheet - series D - DIN



Standards / Directives

- DIN 18197
- DIN 18541, part 1 and 2
- WU- Directives DAfStb
- Welding instructions

Test certificate / Approvals

- latest manufacturer's test certificate
- certificate of conformity - DIN 18541
- external monitoring by MPA NRW
- internal monitoring

PRODUCT DATA

Material

- PVC-P (Polyvinyl chloride with plasticizer / P: plasticized)
- PVC-NBR (Polyvinyl chloride - Nitrile butadiene rubber)

Colour

- black

Packaging

- supplied as standard rolls (25 m), pre-cuts and systems

Data sheet - series D - DIN



MECHANICAL PROPERTIES according to DIN 18541, part 2

Shore A hardness	67 ± 5
-------------------------	------------

Tensile strength	≥ 10 MPa
-------------------------	---------------

Elongation at break	≥ 350 %
----------------------------	--------------

Tear propagation resistance	≥ 12 kN/m
------------------------------------	----------------

Low temperature performance	Elongation at break at $-20^{\circ}\text{C} \geq 200\%$
------------------------------------	---

Performance after weathering	Tensile strength $\leq 20\%$ Elongation at break $\leq 20\%$ Modulus of elasticity $\leq 50\%$
-------------------------------------	--

valid change of average values relative to the initial value

Performance of the weld at shear test short-term joining factor fz	break outside of weld $\geq 0,6$
---	----------------------------------

Fire behaviour	class E
-----------------------	---------

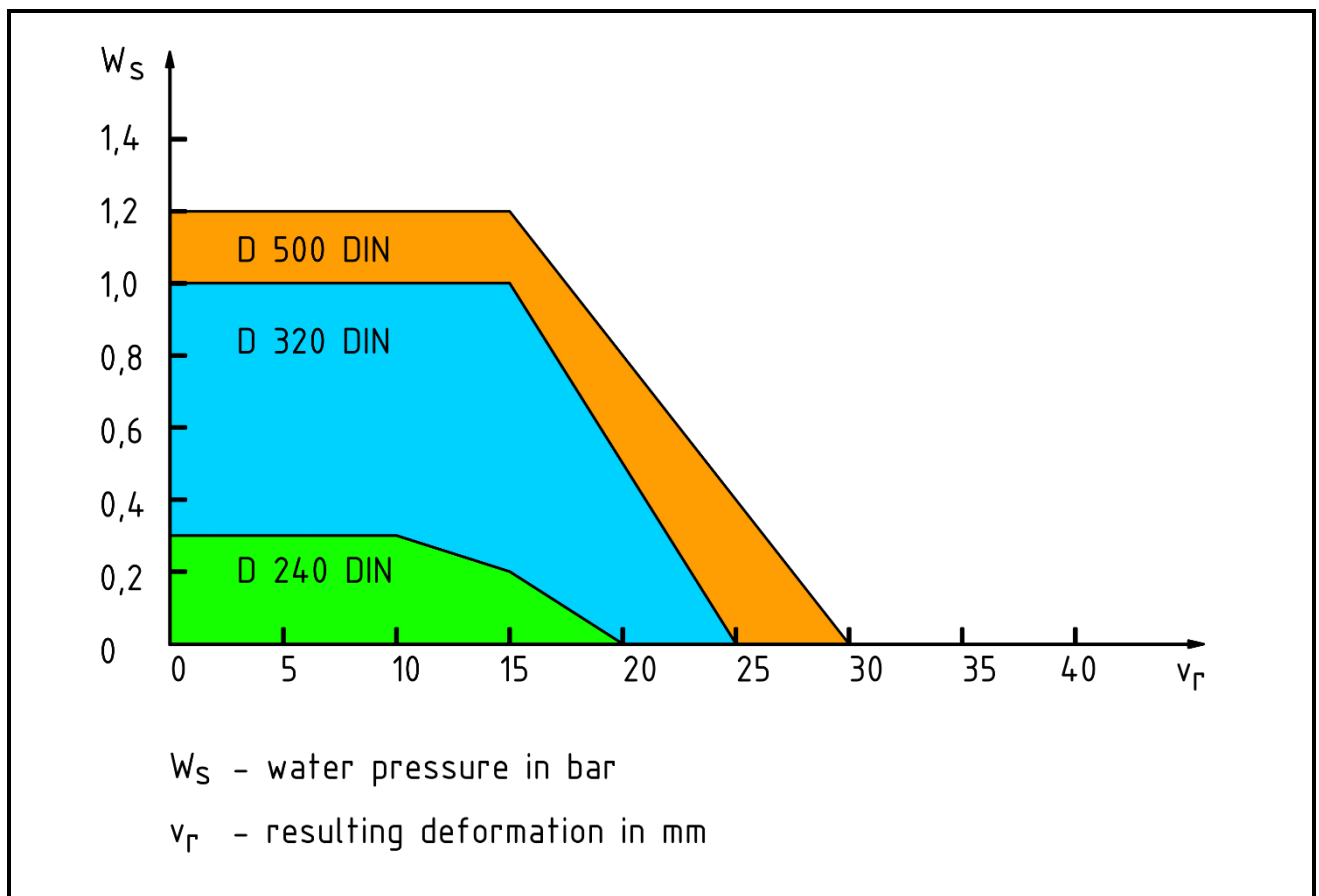
Performance after storage in bitumen	Tensile strength $< 20\%$ Elongation at break $< 20\%$ Modulus of elasticity $< 50\%$
---	---

Data sheet - series D - DIN



Selection diagram

for waterstops acc. to DIN 18541, part 1 and 2

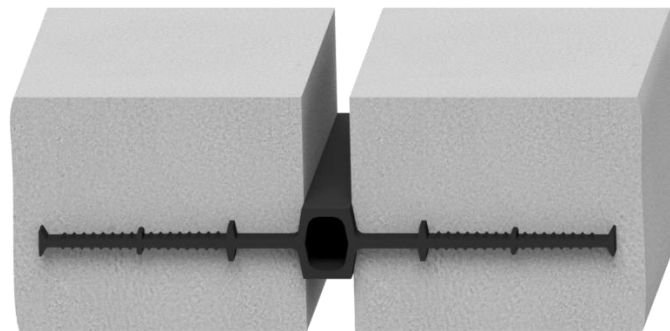
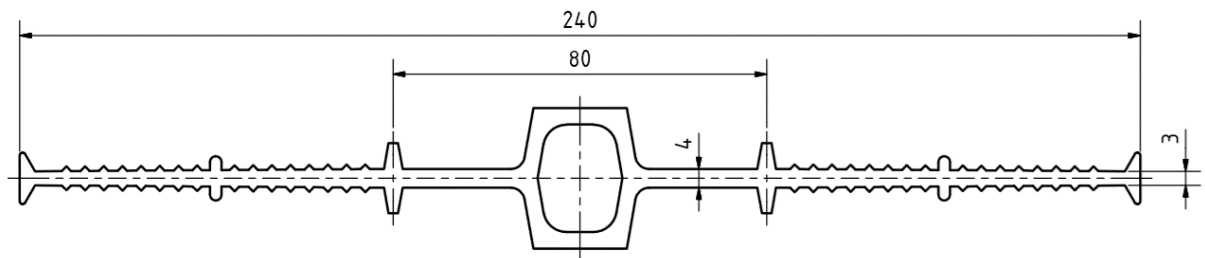


excerpt from DIN 18197:2018-01

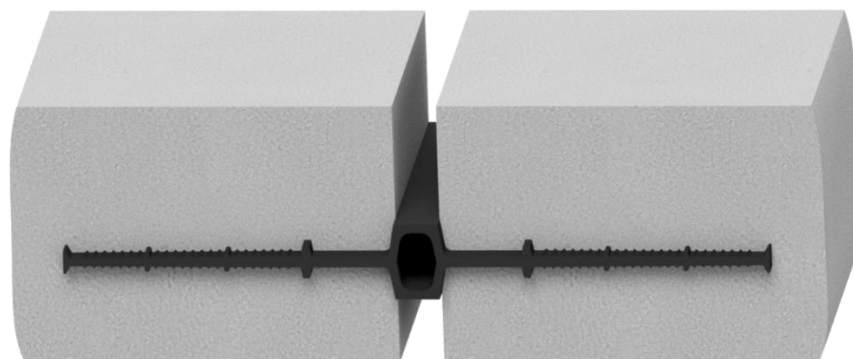
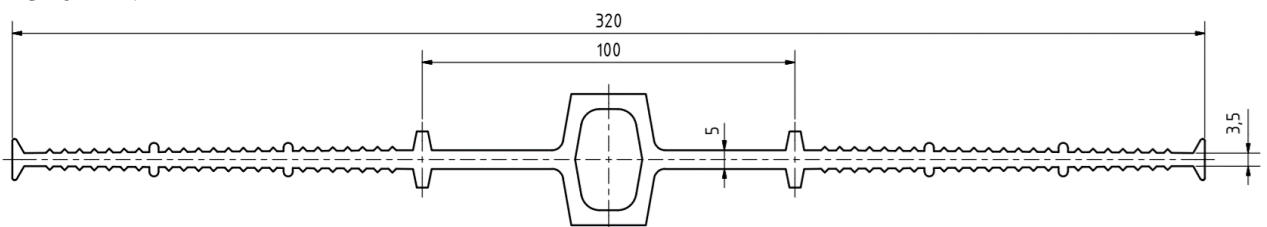
Data sheet - series D - DIN



D 240 DIN



D 320 DIN



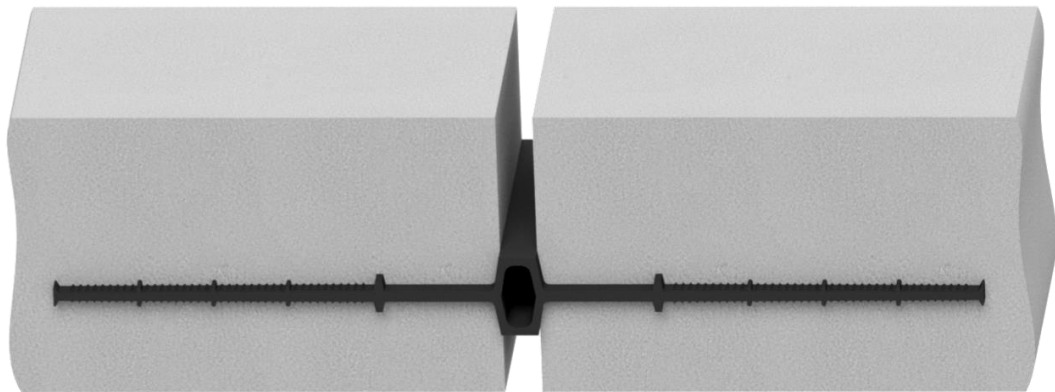
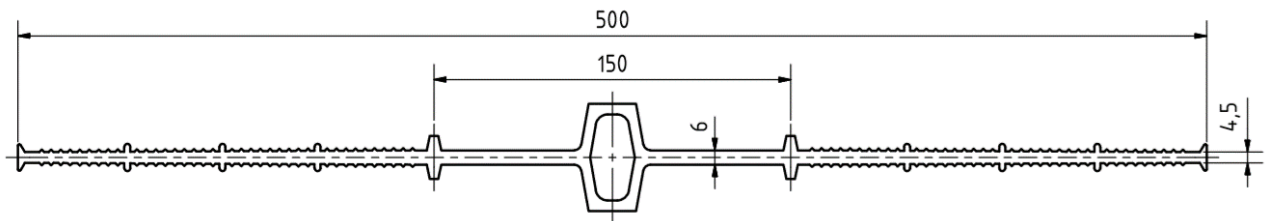
All dimensions in mm

- D 240 DIN & D 320 DIN according to DIN 18541, part 1 and 2

Data sheet - series D - DIN



D 500 DIN



All dimensions in mm

- D 500 DIN according to DIN 18541, part 1 and 2